

## Data sheet

Commercial Art.No.: 78.014.0353.0

modular insert FLE STC 3 69

Modular connector system 3 pole male insert, 630V/40A, crimp connection, turned contacts



Commercial Art.No.	78.014.0353.0
EAN	4015573445970
Order Unit	10

certificates / approvals



## Technical data

### general

model	pin insert
inflammability class of insulation material acc. with UL94	V0
color	grey
mating cycles	500
pollution degree	3
suitable for modular version	yes
operating temperature range min.	-40 °C
operating temperature range max.	120 °C

### connection data

connection type	crimp
number of poles	3
plus switching contacts	0
number of pole for rated current 2	0
number of pole for rated current 3	0
total number of poles (without ground contact)	3
with wire protection	no
protective contact	no

### technical data UL/CSA

nominal voltage according to UL/CSA	600 V
nominal current according UL	40 A

nominal current according CSA	35 A
min. conductor cross section flexible wire	1.5 mm <sup>2</sup>
max. conductor cross section flexible wire	10 mm <sup>2</sup>
conductor cross section flexible AWG wire	16-8 AWG

**model**

with housing	no
--------------	----

**contacts**

contact material	see contacts
surface	silver-plated
contact resistance	≤ 1 mOhm
wire strip length	10 mm

**technical data DIN EN 61984**

nominal voltage	630 V
nominal voltage face/ground	630 V
nominal current	40 A
rated impulse voltage	8 kV

**classification**

ECLASS 11	
ECLASS 8.1	27440205
ETIM 9.0	EC000438
ETIM 8.0	EC000438
ETIM 7.0	EC000438
ETIM 6.0	EC000438
ETIM 5.0	EC000438
ETIM 4.0	EC000438
ETIM 3.0	EC000438

**product compliance**

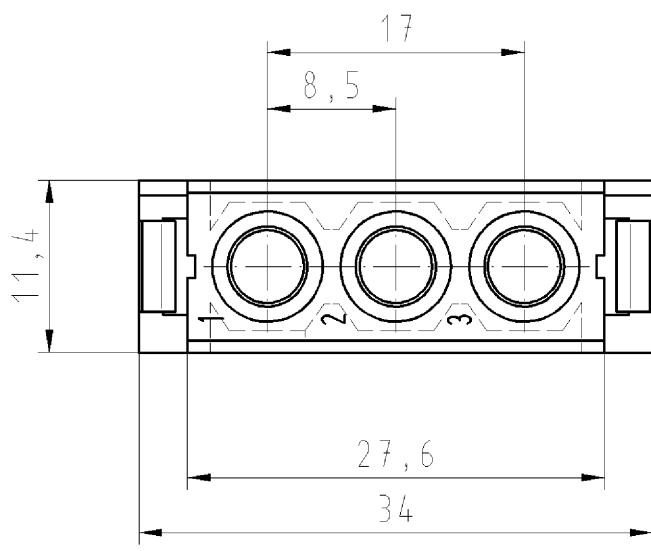
ROHS conformity status	compliant
REACH-SVHC conformity status	compliant

**Accessories**

Commercial Art.No.:	Article-type description:	Description:

A

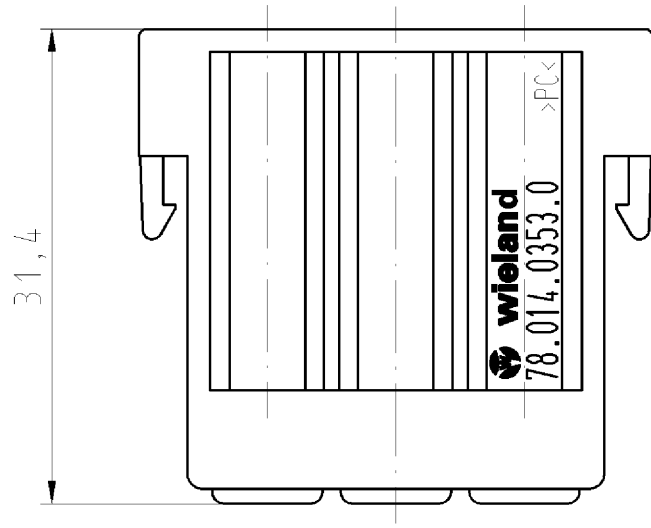
These dimensions will be especially checked at delivery  
 Only inspection dimensions  
 With /E marked dimensions are only valid for internal use



B

C

Diese Maße werden bei Abnahme besonders geprüft  
 Ausschließlich Prüfmaße  
 Mit /E gekennzeichnete Maße sind nur für interne Zwecke gültig



D

E

Weitere Daten siehe Katalog  
 further data see catalog

Tolerierung nach DIN 7167/Tolerance system acc. to DIN 7167.  
 (This DIN-standard describes the envelope principle. According to the envelope principle the deviations of form and parallelism are limited by the size tolerances).  
 ja/yes  Stoffverbots- und Deklarationsliste nach UU-TQM-05/03 ist einzuhalten.  
 Conformity with Wieland document UU-TQM-05/03 (list of prohibited / declarable hazardous substances) to be declared!

Freitoleranz nach General tolerance CAD - Zeichnung, keine manuellen Änderungen CAD - drawing, no manual modifications allowed 1.Verwendung: - First Use: - Blatt: 1 von 1 Sheet: 1 of 1

	/		Werkstoff/Material	2006	Tag/Date	Name	Zeichnung Nr./Drawing No. <b>78.014.0353.0 01K</b>	Index
	/			gezeichnet drawn	19.09.	Treschan		
	/	Maßstab/Scale		geprüft checked	-	-		
	/	%		Normgepr. Stand. check	-	-	Maße in mm/Dimensions are in mm	
	/	Vol.	mm <sup>3</sup>	Offl./Surf.	mm <sup>2</sup>	Ersatz für/Replacement for: -		
	/		<b>wieland</b>	Type	Benennung/Tittle <b>MODULE INSATZ_STECKER</b>			
Index	Datum / Blatt Date / Sheet	<b>Elektrische Verbindungen</b>		module insert - plug 3-polig / 3 pole				
Änderung/Revision								

780140353001K\_4 CADW1044 treschan 2006-09-19T12:31:04 1.000

1 2 3 4 5 6 7 8 9 10 11 12 13 14 15 16 17 18 19 20 M1 M2 M3 L G i 11.1 12.1 1.1

Weitergabe sowie Vervielfältigung dieses Dokuments, Verwertung und Mitteilung seines Inhalts sind verboten, soweit nicht ausdrücklich gestattet.  
 The reproduction, distribution and utilization of this document as well as the communication of its contents to others without express authorization is prohibited.